



15 July 2019

ASX RELEASE

DroneShield releases DroneGun MKIII™ product

DroneShield Ltd (ASX:DRO) ("DroneShield" or the "Company") is pleased to release a breakthrough new product, DroneGun MKIII™, following extensive development in response to end-user feedback. The product is available for purchase from today to qualified end-users, where lawful¹.

DroneGun MKIII™ is a portable pistol-shape drone jammer, weighting under 2kg. The Company believes this product is peerless globally, for its combination of size and effectiveness.

DroneGun MKIII™ is designed to be an alternate rather than a replacing product for its highly successful DroneGun Tactical™ unit, having a shorter effective range of 500m versus 1-2km for DroneGun Tactical™.

DroneGun MKIII™ can also be used in combination with other DroneShield products, including the RfPatrol™ body-worn detection device and the DroneSentinel™ stationary multi-sensor detection system.

Product overview is attached to this release.

Further Information

Oleg Vornik
CEO and Managing Director
Email: oleg.vornik@droneshield.com
Tel: +61 2 9995 7280

About DroneShield Limited

Based in Sydney (Australia), Virginia and Washington DC (USA) and London (UK), DroneShield is a worldwide leader in drone security technology. The Company has developed pre-eminent drone security solutions that protect people, organisations and critical infrastructure from intrusion from drones. Its leadership brings world-class expertise in engineering and physics, combined with deep experience in defence, intelligence, and aerospace.

ENDS

¹ DroneGun MKIII™ has not been authorized as required by the federal communications commission ("FCC"). This device is not, and may not be, offered for sale or lease, or sold or leased, in the United States, other than to the United States government and its agencies, until such authorization is obtained. The use of DroneGun MKIII™ in the United States by other persons or entities, including state or local government agencies, is prohibited by federal law. Laws limiting the availability of DroneGun MKIII™ to certain types of users may apply in other jurisdictions, and any sales will be conducted only in compliance with the applicable laws. Jammer affects only frequencies at 433Mhz, 915Mhz, 2.4Ghz, 5.8Ghz and GPS/Glonass (optionally). Emergency broadcasts, cellphone communication and other dedicated channels will not be affected.

For personal use only

For personal use only

DroneGun MKIII

FRONT LINE PROTECTION



Application

The DroneGun MKIII is a compact, lightweight drone countermeasure designed for one hand operation. Highly effective against a wide range of commercially available drone models, the DroneGun MKIII is capable of disrupting the control and navigation of multiple drones simultaneously.

Activation of RF and/or navigation (GNSS) signal disruption will cause the drone to either;

1. Automatically revert to an immediate vertical descent and engage in a controlled landing, or
2. Hover close to the ground until the drone's batteries are near depletion initiating a controlled vertical landing, or
3. Return to starting point or "home" which would assist in finding the operator

RF disruption activation will also interfere with any live video streaming (FPV) back to the remote controller halting the collection of video footage and intelligence by the drone operator.

Disclaimer:

DroneGun MKIII has not been authorized as required by the United States Federal Communications Commission ("FCC"). This device is not, and may not be, offered for sale or lease, or sold or leased, in the United States, other than to the United States government, its agencies, and its properly delegated representatives, until such authorization is obtained. The use of DroneGun MKIII in the United States by other persons or entities, including, in certain circumstances, state or local government agencies, is prohibited by federal law. Laws limiting the availability of DroneGun MKIII to certain types of users may apply in other jurisdictions, and any sales will be conducted only in compliance with the applicable laws.

DroneGun MKIII affects only frequencies at 2.4Ghz, 5.8Ghz, 433Mhz, 915Mhz and GPS/Glonass (optionally). Emergency broadcasts, cellphone communication and other dedicated channels will not be affected.



DroneShield DroneGun MKIII



DroneGun MKIII in a rugged carry case



dronesshield.com

DroneGun MKIII

FRONT LINE
PROTECTION



Features

Robust & Compact Pistol Style Design

- Durable polymer construction for maximum strength
- High levels of protection for use in harsh environments
- Quick release & reload battery operation
- Single point sling supplied with ambidextrous attachment options

DroneShield Advanced Technology

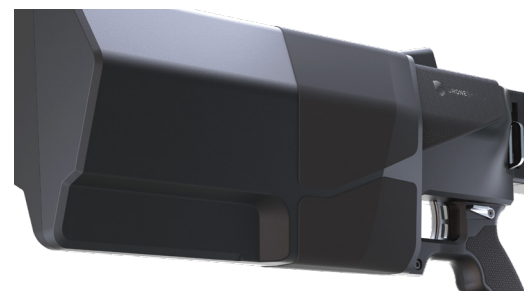
- Integrated electronic modules for compact application
- Optimised power consumption controls (software controlled)
- Use of NATO Military approved battery specification
- Ready for operation out of the box, no software updates required

Optimal User Interface

- LED indicators for each enabled individual frequency band option
- LED indicators 'ON' for enabled bands and 'FLASH' when disrupting
- Low profile selector buttons prevent accidental activation
- Warning LED indicators for 'Low Battery' and 'System Error'
- LED's can be completely dimmed for night operations (Stealth Mode)

Compact Integrated Directional Antennas

- Designed and adapted to support rugged environments
- Compact integration of antenna ensures effective directionality and a safe environment for the operator



dronesield.com

DroneGun MKIII

FRONT LINE
PROTECTION



Specifications

DroneGun MKIII Specifications

Battery Nominal Voltage: 10.8VDC
Effective Range: up to 500m (547 yards)
Unit Weight: 1.95kg (4.3lbs) (including battery)
User Feedback: Visual LEDs
Colour: Black, Desert Sand

Effective Jammer Frequencies:

2.4GHz ISM
5.8GHz ISM
433MHz (operator toggle)
915MHz (operator toggle)
GNSS - GPS, GLONASS, BeiDou, Galileo (operator toggle)

Battery Specifications

Rechargeable Lithium-Ion Battery
NATO-standard military grade battery (common use)
Quick release and reload battery operation
Start-up Time: < 3 secs
Operation Time: 1 hr+ active disruption, 8 hr+ standby
Pass through charger available for continued use

Environment

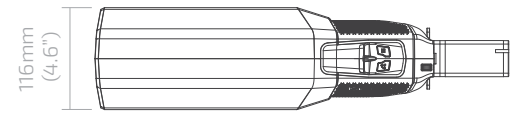
Operating temperature: -20°C to +55°C (-4°F to +131°F)
Designed to IP55

Warranty

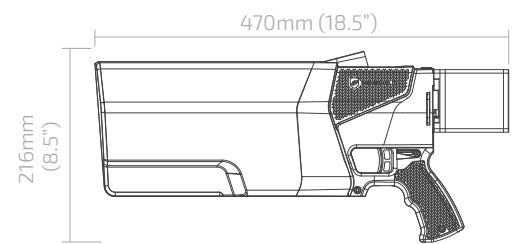
12 months from date of shipment

Shipping

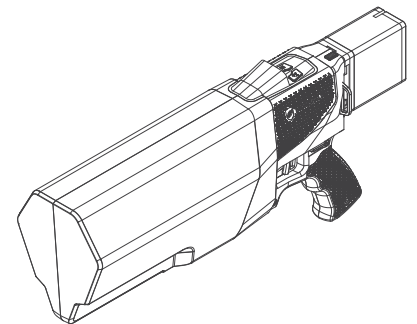
Ships in a Rugged Carry Case (IP67)
Dimensions: 629mm x 393mm x 209mm (24.76" x 15.46" x 8.24")
Total Shipped Weight: 6.5kg (14.33 lbs) - including carry case
HS Code: 8543.70.9090



TOP VIEW



SIDE VIEW



PICTORIAL VIEW

Carry Case Contents:

- DroneGun MKIII Device
- Single Point Sling
- 1 x NATO-Grade Battery
- Battery Charger
- Operation Manual



dronesield.com